



MBR30200C

Preliminary

DIODE

30A, 200V SCHOTTKY BARRIER RECTIFIER

DESCRIPTION

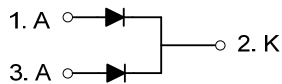
The UTC **MBR30200C** is a 30A schottky barrier rectifier, it uses UTC's advanced technology to provide the customers with high surge capability, high efficiency, high current capability, low power loss and low forward voltage drop, etc.

The UTC **MBR30200C** is suitable for free wheeling and polarity protection, etc.

FEATURES

- * Low reverse current
- * High current capability
- * Low power loss
- * High efficiency
- * For use in low voltage, high frequency inverters

SYMBOL



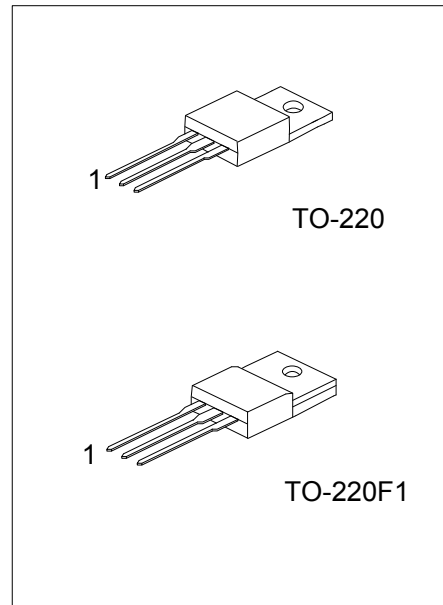
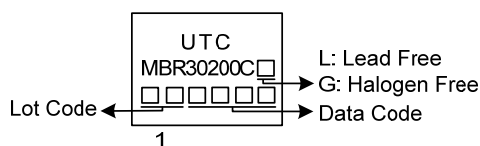
ORDERING INFORMATION

Ordering Number		Package	Pin Assignment			Packing
Lead Free	Halogen Free		1	2	3	
MBR30200CL-TA3-T	MBR30200CG-TA3-T	TO-220	A	K	A	Tube
MBR30200CL-TF1-T	MBR30200CG-TF1-T	TO-220F1	A	K	A	Tube

Note: Pin Assignment: A: Anode K: Cathode

<p>MBR30200CL-TA3-T</p>	<p>(1) T: Tube (2) TA3: TO-220, TF1: TO-220F1 (3) L: Lead Free, G: Halogen Free and Lead Free</p>
-------------------------	---

MARKING



■ ABSOLUTE MAXIMUM RATINGS

PARAMETER		SYMBOL	RATINGS	UNIT
Working Peak Reverse Voltage		V_{RWM}	200	V
Repetitive Peak Reverse Voltage		V_{RRM}	200	V
Maximum RMS Reverse Voltage		$V_{R(RMS)}$	140	V
DC Blocking Voltage		V_R	200	V
Average Rectified Output Current Per Device	Per Leg	I_O	15	A
	Total		30	A
Non-Repetitive Peak Forward Surge Current 8.3ms Single Half-Sine-Wave		I_{FSM}	180	A
Operating Junction Temperature (Note 1)		T_J	-65~+150	°C
Storage Temperature (Note 1)		T_{STG}	-65~+150	°C

Note: Absolute maximum ratings are those values beyond which the device could be permanently damaged.
Absolute maximum ratings are stress ratings only and functional device operation is not implied.

■ THERMAL CHARACTERISTICS

PARAMETER		SYMBOL	RATINGS	UNIT
Junction to Ambient		θ_{JA}	62.5	°C/W
Junction to Case	TO-220	θ_{JC}	1.8	°C/W
	TO-220F1		3.3	°C/W

■ ELECTRICAL CHARACTERISTICS (Note 2) ($T_A=25^\circ\text{C}$, unless otherwise noted.)

PARAMETER	SYMBOL	TEST CONDITIONS	MIN	TYP	MAX	UNIT
Reverse Breakdown Voltage	$V_{(BR)R}$	$I_R=0.50\text{mA}$	200			V
Instantaneous Forward Voltage	V_F	$I_F=15\text{A}, T_C=25^\circ\text{C}$			0.90	V
		$I_F=15\text{A}, T_C=125^\circ\text{C}$			0.80	V
Instantaneous Reverse Current	I_R	$V_R=200\text{V}, T_J=25^\circ\text{C}$			50	μA
		$V_R=200\text{V}, T_J=125^\circ\text{C}$			10	mA

Notes: 1. The heat generated must be less than the thermal conductivity from Junction to Ambient: $P_D/T_J < 1/\theta_{JA}$.
2. Pulse Test: Pulse Width=300 μs , Duty Cycle $\leq 2.0\%$.

UTC assumes no responsibility for equipment failures that result from using products at values that exceed, even momentarily, rated values (such as maximum ratings, operating condition ranges, or other parameters) listed in products specifications of any and all UTC products described or contained herein. UTC products are not designed for use in life support appliances, devices or systems where malfunction of these products can be reasonably expected to result in personal injury. Reproduction in whole or in part is prohibited without the prior written consent of the copyright owner. The information presented in this document does not form part of any quotation or contract, is believed to be accurate and reliable and may be changed without notice.